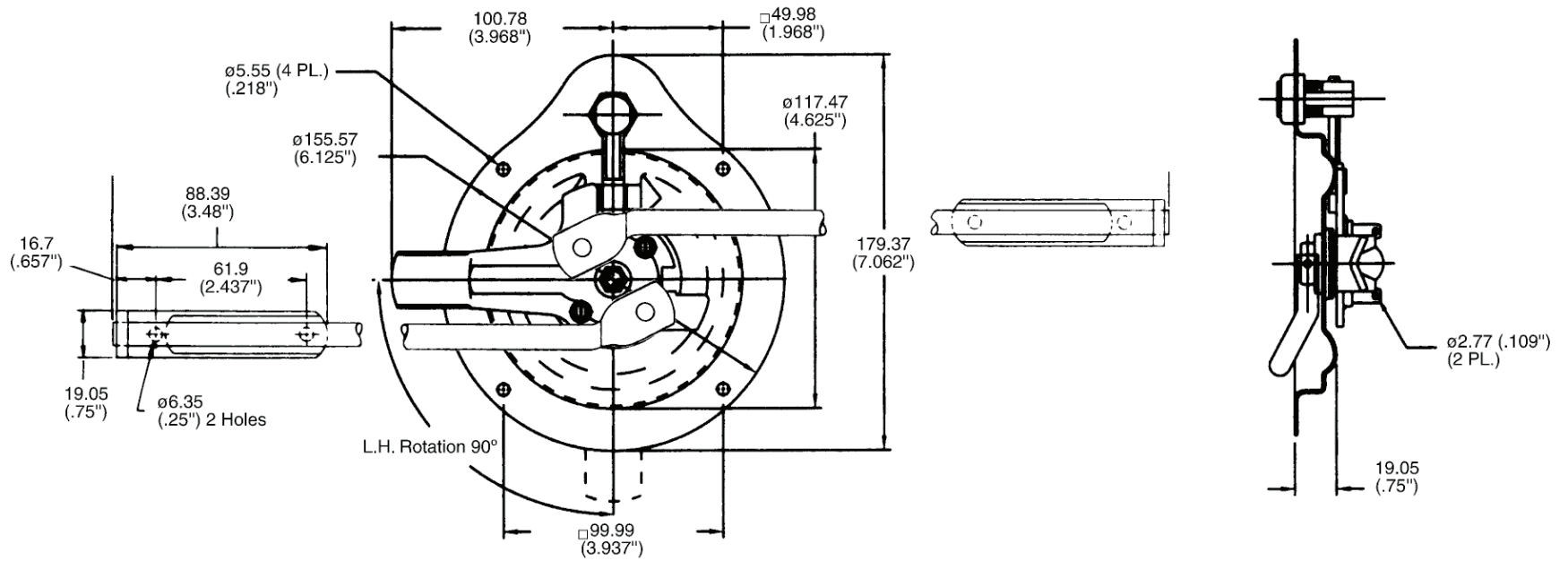


APPROVAL - CUSTOMER NAME & SIGNATURE

DATE



ALLEGIS

1-866-378-7550

MATERIAL:

Stainless Steel

DRAWING NO.:

103L-50 SS

FINISH:

Passivated

REV.:

1:1

DATE:

6/10/2019